

Whisper™

Swimming Pool & Solar Pump

A compact pump for small to medium sized, above and below ground pools, and solar heating applications.



Features & Benefits

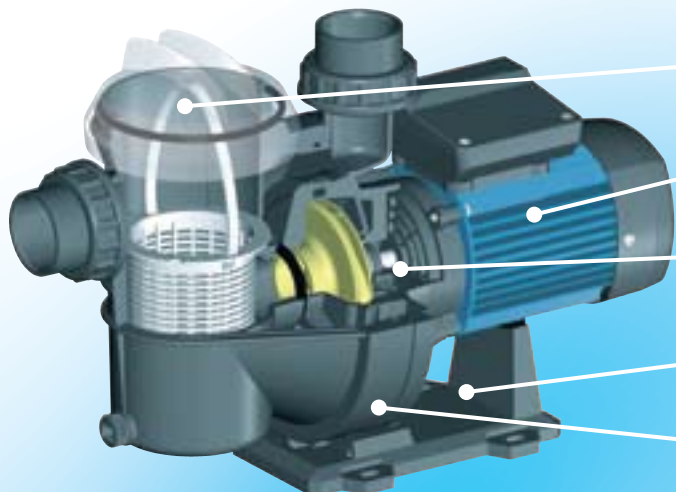
- Ideal for small pools, above ground pools and solar heating applications
- Compact dimensions – perfect for tight spaces
- Designed for durability and long life using corrosion resistant, UV stabilised materials
- High quality, reliable pump with low power usage
- Clear leaf basket lid designed for easy access and inspection of filtered debris
- Built in thermal overload protection, protects motor from low voltage or jammed pump
- Barrel union connections for easy pump installation

Guarantee – 3 years



monarchseries.com.au

Swimming Pool & Solar Pump



Easy to remove, leaf basket cover for easy viewing and removal of leaves and debris

Quiet and efficient motor

Stainless steel motor shaft for corrosion resistance in salt water pools

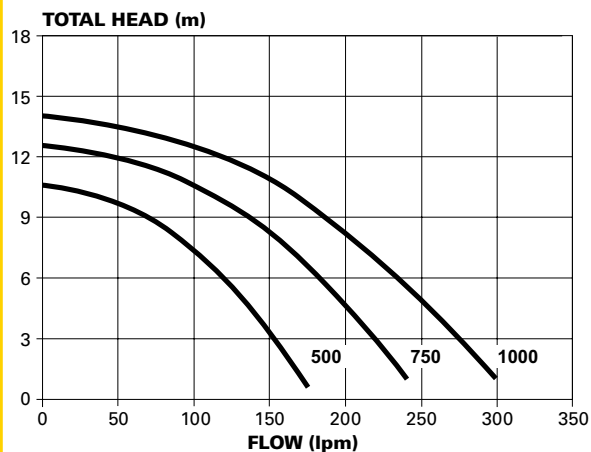
Pump body & base mount made from glass-filled polypropylene for corrosion resistance

Compact and easy to install. Weighs 8.4kg or less.

ELECTRICAL DATA

Model	500	750	1000
Voltage (V)	220-250		
Supply Frequency / Phase	50Hz / 1		
Run Current (A)	1.9	2.7	3.5
Motor Input Power (W)	450	650	850
Motor Output Power (W)	250	370	750
RPM	2900		
Enclosure Class (IP)	55		
Insulation Class	F		
Approval No.	W2442		

HYDRAULIC PERFORMANCE

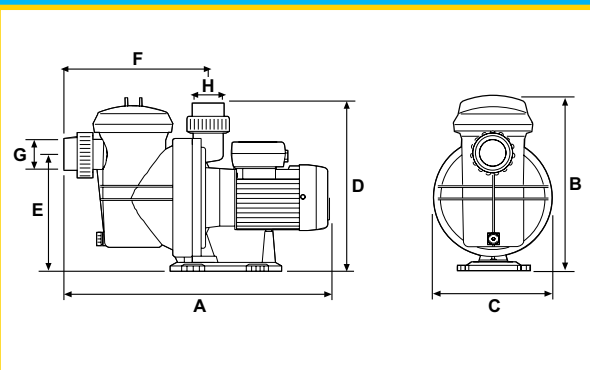


OPERATING LIMITS

Water Temperature	Max 35°C
Ambient Temperature	Max 50°C

DIMENSIONS (mm)

Model	A	B	C	D	E	F	G	H	Net Weight (Kg)
500									7.4
750	475	311.5	212	301	210	257	50	50	7.7
1000									8.4



Datasheet Disclaimer:

All details in this leaflet are accurate at the time of printing. This literature is not a complete guide to product usage. Further information is available from your Monarch Series dealer, Davey Customer Service Centre and from the relevant product Installation & Operating Instructions. This datasheet must be read in conjunction with the relevant Installation & Operating Instructions and all applicable statutory requirements. Product specifications may change without notice. © Davey is a registered trademark of Davey Water Products Pty Ltd. © Davey Water Products Pty Ltd 2008.



Davey Water Products Pty Ltd

Member of the GUD Group
ABN 18 066 327 517
Head Office and Manufacturing
 6 Lakeview Drive, Scoresby, Australia 3179
 Ph: +61 3 9730 9222
 Fax: +61 3 9753 4100
 Website: davey.com.au

Customer Service Centre
 Ph: 1300 2 DAVEY (1300 232 839)
 Fax: 1300 304 850
 E-mail: sales@davey.com.au
 Interstate Offices
 Sydney • Brisbane • Adelaide
 Perth • Townsville

International

6 Lakeview Drive,
 Scoresby, Australia 3179
 Ph: +61 3 9730 9121
 E-mail: export@davey.com.au

New Zealand

7 Rockridge Avenue,
 Penrose, Auckland 1061
 Ph: +64 9 570 9135
 Website: daveynz.co.nz
 E-mail: sales@daveynz.co.nz

Germany

Kantstrasse 53,
 04275 Leipzig
 Ph: +49 341 301 0412
 E-mail: akrenz@daveyeurope.com

USA - Davey Pumps Inc.

1005 N. Commons Drive,
 Aurora, Illinois 60504
 Ph: +1 630 898 6976
 Website: daveyusa.com
 E-mail: sales@daveyusa.com